

ARADA
— DEVON —

CONTEMPORARY LIVING

Putting warmth at the heart of the home



Hoxton 7

NEW for 2021. Achieve effortless style with this versatile Hoxton 7 kW wood burning stove. This cylindrical body stove with its huge curved glass door will create a visual statement in any home.

Hoxton has excellent fuel efficiency and low emissions meeting approval of the clearSkies scheme and ecodeign standards.

Features

- Ecodesign Ready / clearSkies approved
- Lifetime guarantee
- Simple, discreet air controls
- Click-close door
- Log store and pedestal accessories
- Top or rear 5" flue outlet
- Available in other colour options
- Direct air compatible
- Approved for use in Smoke Control Areas

Dimensions

Width	545 mm
Height	771 mm
Depth	425 mm
Ideal log length / diameter	250 / 100 mm



Hoxton with optional tall pedestal accessory



Hoxton with optional short pedestal accessory

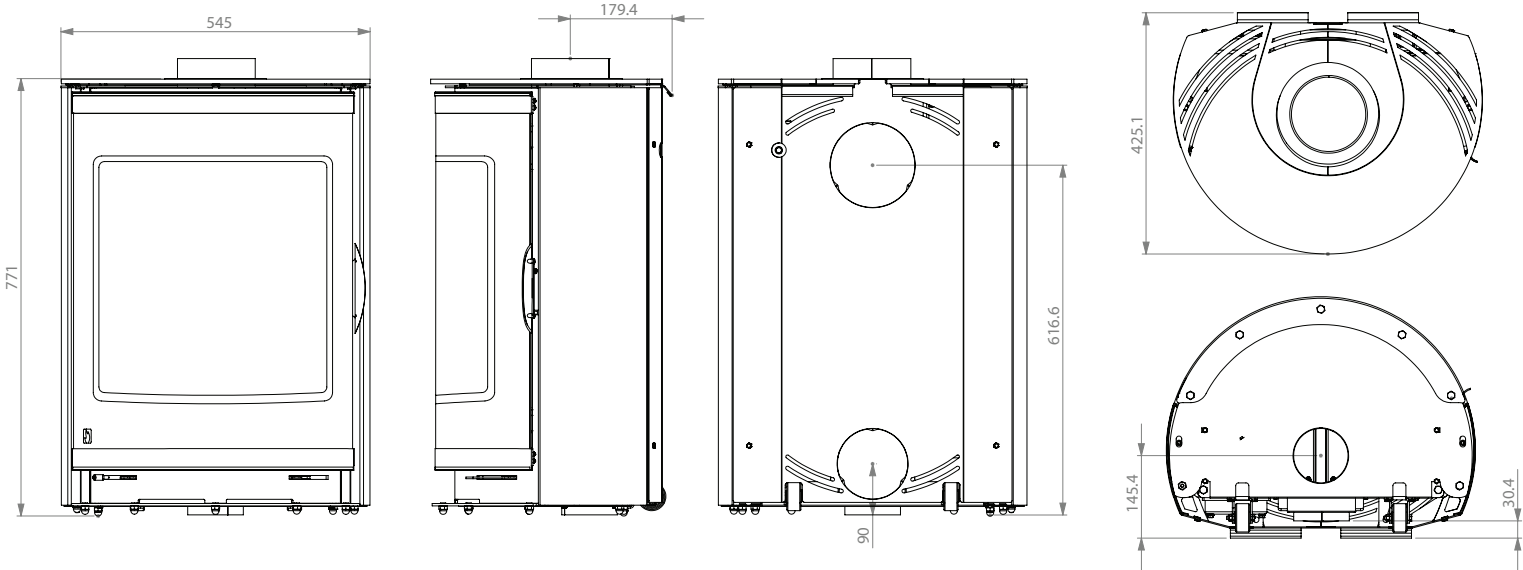


Sleek door handle design



Curved glass door with click-close door latch

Hoxton 7



Dimensions

Width (across footprint)	545 mm
Height (top of canopy to base)	771 mm
Short log store height / total height	219 mm / 990 mm
Tall log store height / total height	312 mm / 1083 mm
Short pedestal height / total height	206 mm / 977 mm
Tall pedestal height / total height	312 mm / 1083 mm
Depth	425 mm
Flue Diameter	127 mm
Depth from back to centre of top flue	180 mm
Axis height of rear flue	617 mm
Ideal log length / diameter	250 mm / 100 mm

Performance

Wood Fuel

Energy Efficiency Class	A
Nett Efficiency	78.6 %
Nominal Output	7.3 Kw
Mean Co Emission (@13% O ₂)	0.1%
DIN+ particulate	34 Nmg/m ³
Mean NO _x Emission (@13% O ₂)	85 Nmg/m ³
Mean OGC Emission (@13% O ₂)	80 Nmg/m ³
Flue Gas Mass Flow	5.6 g/s
Flue Gas Temperature	313 °C
Nominal output/hr (typical fuel load)	2.04 kWh/Kg (seasoned hardwood)

Features

Stove body type	Freestanding
Ecodesign Ready	Yes
Approved for smoke control areas	Yes
Suitable for direct air connection	Yes
Suitable for non-combustible 12mm hearth	Yes
Weight nett (unpacked kg)	113 Kg

Minimum distance to combustibles

With single-walled flue fitted

Rear	250 mm
Side	500 mm

With twin-walled flue fitted

Rear	200 mm
Side	500 mm
Max hearth temperature	32 °C

Direct air spigot location

(when viewing the rear side of the stove)

Spigot diameter	100 mm
Height from floor (standard feet)	90 mm
Axis distance from rear (from underneath)	146 mm
Lateral position	Centre

We recommend this appliance is installed with clearance of 100mm to non-combustible materials
Installation and operating instructions for this stove are available online at www.aradastoves.com.

Lagom 4 Steel



Lagom 4 Steel

The Lagom's 4kW modern cylindrical body stove with curved glass door is certain to draw admiring looks. This high efficiency, low emission wood burning stove is Ecodesign Ready

The Lagom features integrated lower storage areas convenient for tucking away kindling, operating tool or safety gloves.

Features

- Ecodesign Ready
- 10 year guarantee
- Black steel body style
- Handy integrated storage area
- Self-closing door
- Simple, discreet air controls
- Top or rear 6" flue outlet
- Direct air compatible

Dimensions

Width	528 mm
Height	974 mm
Depth	398 mm
Ideal log length	250 mm



Lagom 4 Steel



Simple air controls



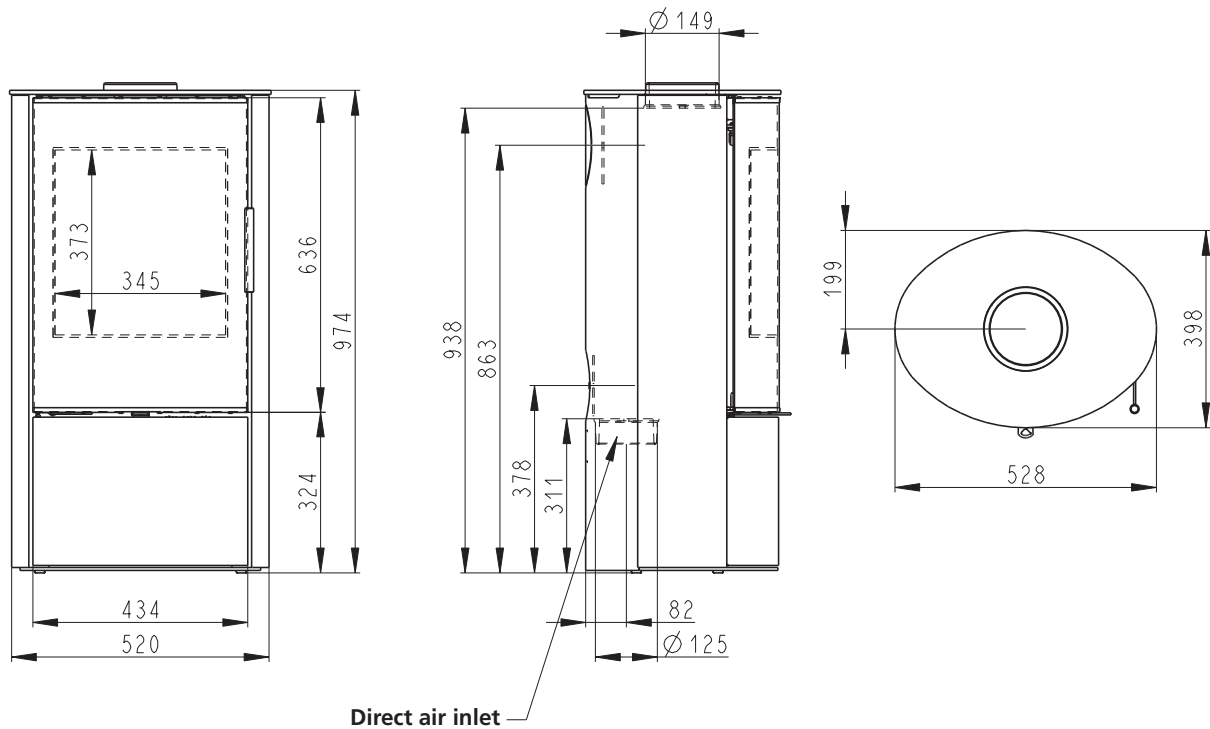
Smart storage area



Discreet ash pan access

Lagom is produced under licence by our EU partner

Lagom 4 Steel



Dimensions

Width	528 mm
Height	974 mm
Depth	398 mm
Flue Diameter	149 mm
Depth from back to centre of top flue	199 mm
Axis height of rear flue	863 mm
Ideal log length	250 mm

Features

Stove body type	Freestanding
Ecodesign Ready	Yes
Approved for smoke control areas	No
Suitable for direct air connection	Yes
Suitable for non-combustible 12mm hearth	Yes
Weight gross (packed kg)	123 Kg

Performance

Wood Fuel

Energy Efficiency Class	A+
Nett Efficiency	80.5 %
Nominal Output	4.0 Kw
Mean Co Emission (@13% O2)	1192 mg/m ³
Mean CO2 Emission	9.59 %
DIN+ particulate	15 Nmg/m ³
Mean NOx Emission (@13% O2)	111 Nmg/m ³
Mean OGC Emission (@13% O2)	68 Nmg/m ³
Flue Gas Mass Flow	4 g/s
Flue Gas Temperature	247 °C
Average wood consumption	1.2kg / hr

Minimum distance to combustibles

With single-walled flue fitted

Rear	100 mm
Side	100 mm
Top	1200 mm

Direct air spigot location

(when viewing the rear side of the stove)

Spigot diameter	125 mm
Spigot orientation	Vertical
Height from floor	311 mm
Axis distance from rear	82 mm
Lateral position	Centre

We recommend this appliance is installed with clearance of 100mm to non-combustible materials
Installation and operating instructions for this stove are available online at www.aradastoves.com.

Lagom 4 Ceramic



Lagom 4 Ceramic

The Lagom's 4kW modern cylindrical body stove with curved glass door is certain to draw admiring looks. This high efficiency, low emission wood burning stove is Ecodesign Ready. The Lagom features integrated lower storage areas convenient for tucking away kindling, operating tool or safety gloves.

Features

- Ecodesign Ready
- 10 year guarantee
- Ceramic white body style
- Handy integrated storage area
- Self-closing door
- Simple, discreet air controls
- Top or rear 6" flue outlet
- Direct air compatible

Dimensions

Width	528 mm
Height	996 mm
Depth	398 mm
Ideal log length	250 mm



Lagom 4 Ceramic



Simple air controls



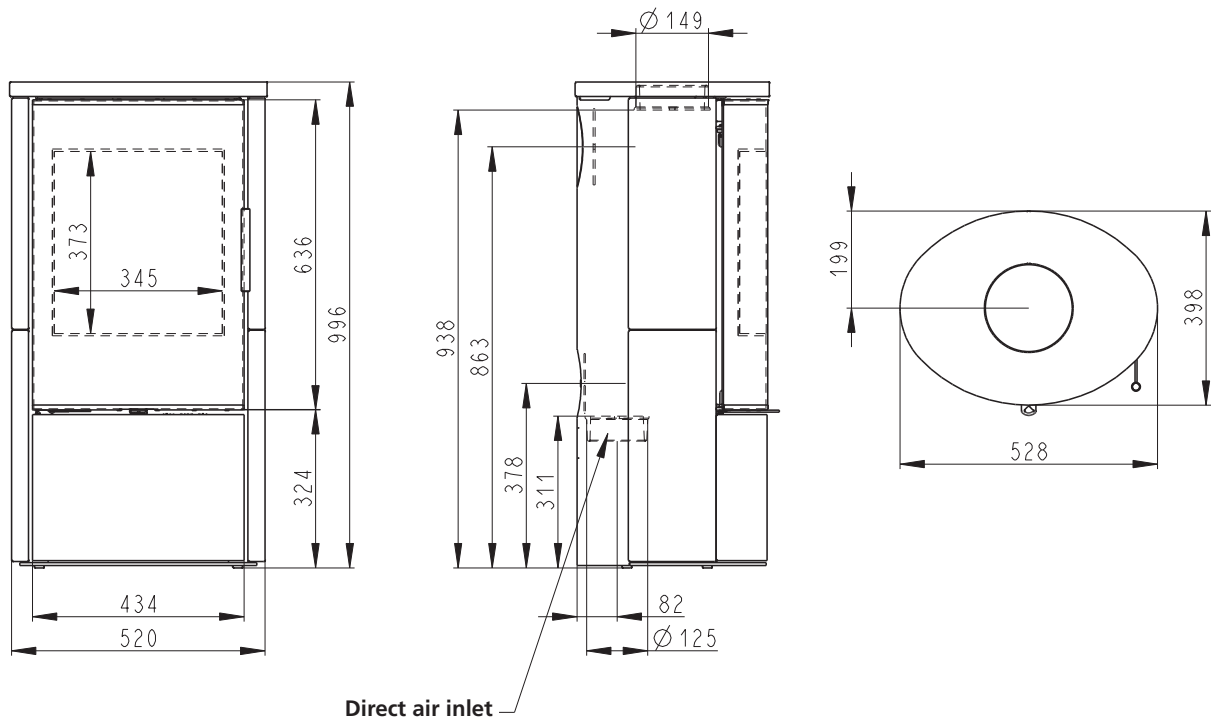
Smart storage area



Discreet ash pan access

Lagom is produced under licence by our EU partner

Lagom 4 Ceramic



Dimensions

Width	528 mm
Height	996 mm
Depth	398 mm
Flue Diameter	149 mm
Depth from back to centre of top flue	199 mm
Axis height of rear flue	863 mm
Ideal log length	250 mm

Features

Stove body type	Freestanding
Ecodesign Ready	Yes
Approved for smoke control areas	No
Suitable for direct air connection	Yes
Suitable for non-combustible 12mm hearth	Yes
Weight gross (packed kg)	123 Kg

Performance

Wood Fuel

Energy Efficiency Class	A+
Nett Efficiency	80.5 %
Nominal Output	4.0 Kw
Mean Co Emission (@13% O ₂)	1192 mg/m ³
Mean CO ₂ Emission	9.59 %
DIN+ particulate	15 Nmg/m ³
Mean NO _x Emission (@13% O ₂)	111 Nmg/m ³
Mean OGC Emission (@13% O ₂)	68 Nmg/m ³
Flue Gas Mass Flow	4 g/s
Flue Gas Temperature	247 °C
Average wood consumption	1.2kg / hr

Minimum distance to combustibles

With single-walled flue fitted

Rear	100 mm
Side	100 mm
Top	1200 mm

Direct air spigot location

(when viewing the rear side of the stove)

Spigot diameter	125 mm
Spigot orientation	Vertical
Height from floor	311 mm
Axis distance from rear	82 mm
Lateral position	Centre

We recommend this appliance is installed with clearance of 100mm to non-combustible materials
Installation and operating instructions for this stove are available online at www.aradastoves.com.



i400

The sleek design of the i Series combined with great fuel efficiency make these cassette stoves perfect for modern, energy-conscious homes. i Series stoves make the most of your fuel with their heat convection system and easy-to-use controls and a full glass door.

Features

- Full glass door
- Available in seven body and trim colours
- Lifetime guarantee
- Preheated airwash system for clean glass
- Stainless steel ash pan
- Burns wood logs or solid smokeless fuel
- Radiant and convected heat
- Direct air compatible
- Primary, secondary and tertiary burn increases fuel efficiency
- Two position door mechanism to assist cold lighting
- Top flue fitting 127mm (5')
- Internal flue fitting and flue damper for ease of installation
- Approved for use in Smoke Control Areas

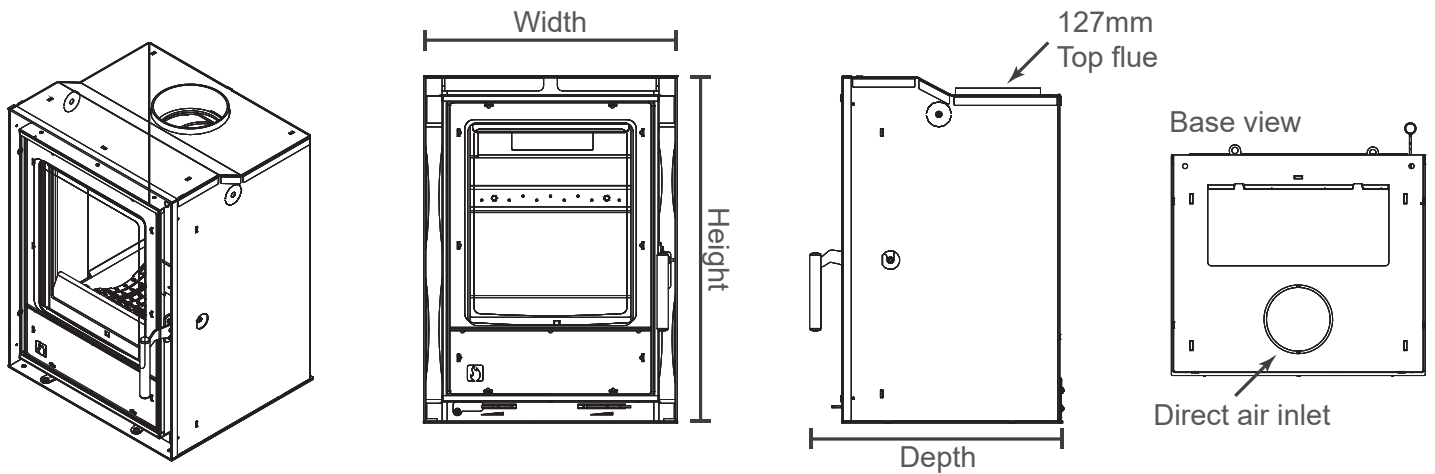
Dimensions

Width	405 mm
Height	558 mm
Depth	407 mm
Ideal log length	255 mm

Optional Extra: Safety Handle



i400



Dimensions

Width	405 mm
Height	558 mm
Depth	407 mm
Flue Diameter	127 mm
Depth into fireplace	351 mm
Width into fireplace	405 mm
Height into fireplace	558 mm
Depth from back to centre of top flue	100 mm
Ideal log length	255 mm

Minimum distance to combustibles

	Single Walled Flue
Rear	700 mm
Side	220 mm
Max hearth temp	119 °C

Direct air spigot location

(when viewing the underside the stove)

Left to right position	Dead centre
Distance from back of stove	90 mm

Features

Stove body type	Cassette
Ecodesign Ready	No
Suitable for smoke control areas	Yes
Suitable for direct air connection	Yes
Suitable for non-combustible 12mm hearth	No
Flue outlet	Vertical spigot

Performance

Wood Fuel

Energy Efficiency Class	A
Nett Efficiency	76 %
Nominal Output	4.9 kW
Output Range	4.1 - 6.9 kW
Mean Co Emission (@13% O ₂)	0.19 %
DIN+ particulate	-
Mean NO _x Emission (@13% O ₂)	-
Mean OGC Emission (@13% O ₂)	-
Flue Gas Mass Flow	4.6 g/s
Flue Gas Temperature	255 °C

We recommend this appliance is installed with clearance of 100mm to non-combustible materials
Installation and operating instructions for this stove are available online at www.aradastoves.com.



i500

The sleek design of the i Series combined with great fuel efficiency make these cassette stoves perfect for modern, energy-conscious homes. i Series stoves make the most of your fuel with their heat convection system and easy-to-use controls and a full glass door.

Features

- Full glass door
- Available in seven body and trim colours
- Lifetime guarantee
- Preheated airwash system for clean glass
- Stainless steel ash pan
- Burns wood logs or solid smokeless fuel
- Radiant and convected heat
- Direct air compatible
- Primary, secondary and tertiary burn increases fuel efficiency
- Two position door mechanism to assist cold lighting
- Top flue fitting 127mm (5')
- Internal flue fitting and flue damper for ease of installation
- Approved for use in Smoke Control Areas

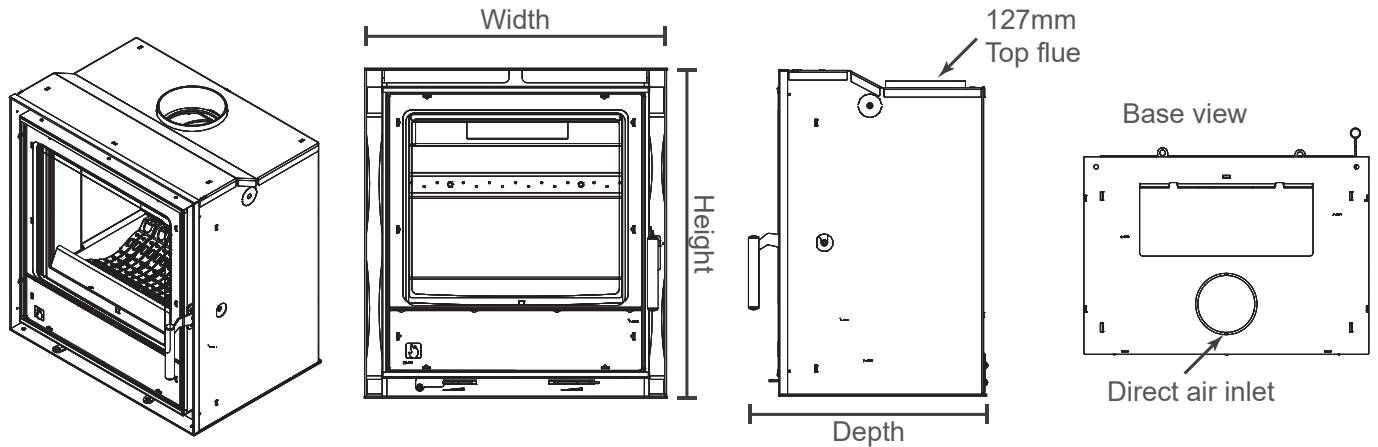
Dimensions

Width	508 mm
Height	558 mm
Depth	407 mm
Ideal log length	350 mm

Optional Extra: Safety Handle



i500



Dimensions

Width	508 mm
Height	558 mm
Depth	407 mm
Flue Diameter	127 mm
Depth into fireplace	351 mm
Width into fireplace	508 mm
Height into fireplace	556 mm
Depth from back to centre of top flue	100 mm
Ideal log length	350 mm

Features

Stove body type	Cassette
Ecodesign Ready	No
Suitable for smoke control areas	Yes
Suitable for direct air connection	Yes
Suitable for non-combustible 12mm hearth	No
Flue outlet	Vertical spigot
Weight gross (packed kg)	75 Kg

Minimum distance to combustibles

	Single Walled Flue
Above	550 mm
Side	150 mm
Max hearth temp	77.8 °C

Direct air spigot location

(when viewing the underside the stove)

Left to right position	Dead centre
Distance from back of stove	90 mm

Performance

Wood Fuel

Energy Efficiency Class	A
Nett Efficiency	74.4 %
Nominal Output	6.4 kW
Output Range	4.9 - 7.1 kW
Mean Co Emission (@13% O ₂)	0.14 %
DIN+ particulate	-
Mean NO _x Emission (@13% O ₂)	-
Mean OGC Emission (@13% O ₂)	-
Flue Gas Mass Flow	5.4 g/s
Flue Gas Temperature	357 °C

We recommend this appliance is installed with clearance of 100mm to non-combustible materials
 Installation and operating instructions for this stove are available online at www.aradastoves.com.



i600

The sleek design of the i Series combined with great fuel efficiency make these cassette stoves perfect for modern, energy-conscious homes. i Series stoves make the most of your fuel with their heat convection system and easy-to-use controls and a full glass door.

Features

- Full glass door
- Available in various body trim and door glass colours
- Lifetime guarantee
- Preheated airwash system for clean glass
- Stainless steel ash pan
- Burns wood logs or solid smokeless fuel
- Radiant and convected heat
- Direct air compatible
- Primary, secondary and tertiary burn increases fuel efficiency
- Two position door mechanism to assist cold lighting
- Top flue fitting 127mm (5')
- Internal flue fitting and flue damper for ease of installation
- Approved for use in Smoke Control Areas

Dimensions

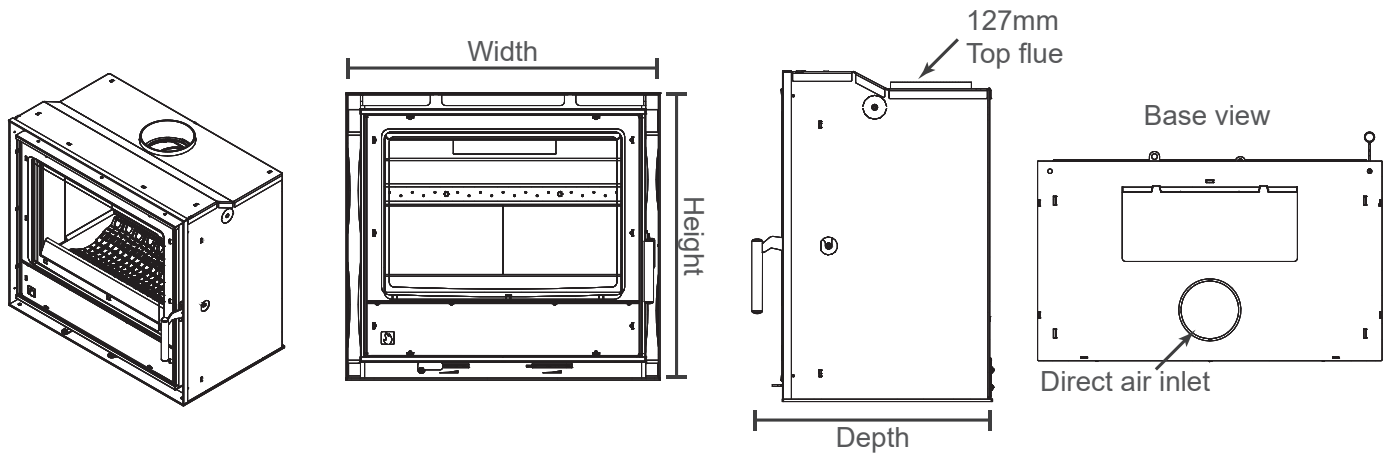
Width	609 mm
Height	558 mm
Depth	407 mm
Ideal log length	480 mm

Optional Extra: Safety Handle



i600

Colour door glass



Dimensions

Width	609 mm
Height	558 mm
Depth	407 mm
Flue Diameter	127 mm
Depth into fireplace	351 mm
Width into fireplace	608 mm
Height into fireplace	556 mm
Depth from back to centre of top flue	100 mm
Ideal log length	480 mm

Features

Stove body type	Cassette
Ecodesign Ready	No
Suitable for smoke control areas	Yes
Suitable for direct air connection	Yes
Suitable for non-combustible 12mm hearth	No
Flue outlet	Vertical spigot
Weight gross (packed kg)	77.8 Kg

Minimum distance to combustibles

	Single Walled Flue
Above	600 mm
Side	150 mm
Max hearth temp	77.8 °C

Direct air spigot location

(when viewing the underside the stove)

Left to right position	Dead centre
Distance from back of stove	90 mm

Performance

	Wood Fuel
Energy Efficiency Class	A
Nett Efficiency	74.4 %
Nominal Output	7.5 kW
Output Range	6.1 - 8.1 kW
Mean Co Emission (@13% O ₂)	0.27 %
DIN+ particulate	-
Mean NO _x Emission (@13% O ₂)	-
Mean OGC Emission (@13% O ₂)	-
Flue Gas Mass Flow	5.9 g/s
Flue Gas Temperature	357 °C

We recommend this appliance is installed with clearance of 100mm to non-combustible materials
 Installation and operating instructions for this stove are available online at www.aradastoves.com.



i750

The sleek design of the i Series combined with great fuel efficiency make these cassette stoves perfect for modern, energy-conscious homes. i Series stoves make the most of your fuel with their heat convection system and easy-to-use controls and a full glass door.

Features

- Full glass door
- Available in seven body and trim colours
- Lifetime guarantee
- Preheated airwash system for clean glass
- Stainless steel ash pan
- Burns wood logs or solid smokeless fuel
- Radiant and convected heat
- Direct air compatible
- Primary, secondary and tertiary burn increases fuel efficiency
- Two position door mechanism to assist cold lighting
- Top flue fitting 127mm (5')
- Internal flue fitting and flue damper for ease of installation
- Approved for use in Smoke Control Areas

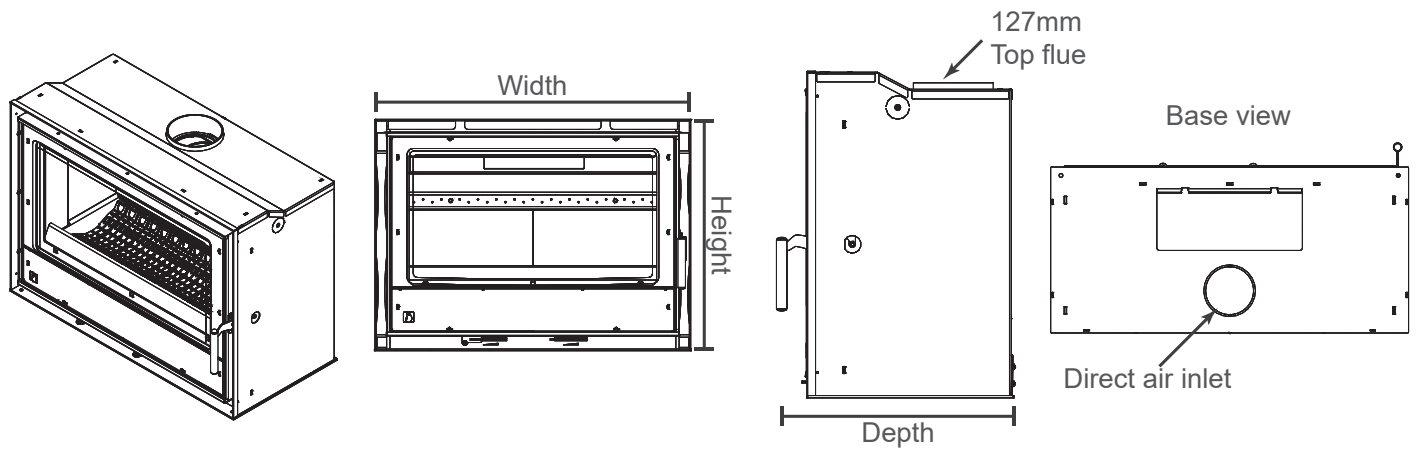
Dimensions

Width	762 mm
Height	558 mm
Depth	407 mm
Ideal log length	600 mm

Optional Extra: Safety Handle



i750



Dimensions

Width	762 mm
Height	558 mm
Depth	407 mm
Flue Diameter	127 mm
Depth into fireplace	351 mm
Width into fireplace	760 mm
Height into fireplace	558 mm
Depth from back to centre of top flue	100 mm
Ideal log length	600 mm

Features

Stove body type	Cassette
Ecodesign Ready	No
Suitable for smoke control areas	Yes
Suitable for direct air connection	Yes
Suitable for non-combustible 12mm hearth	No
Flue outlet	Vertical spigot

Minimum distance to combustibles

	Single Walled Flue
Rear	600 mm
Side	150 mm
Max hearth temp	67.5 °C

Direct air spigot location

(when viewing the underside the stove)

Left to right position	Dead centre
Distance from back of stove	90 mm

Performance

	Wood Fuel
Energy Efficiency Class	A
Nett Efficiency	78.7 %
Nominal Output	8.9 kW
Output Range	6.8 - 9.1 kW
Mean Co Emission (@13% O ₂)	0.27 %
DIN+ particulate	-
Mean NO _x Emission (@13% O ₂)	-
Mean OGC Emission (@13% O ₂)	-
Flue Gas Mass Flow	5.9 g/s
Flue Gas Temperature	321 °C

We recommend this appliance is installed with clearance of 100mm to non-combustible materials
 Installation and operating instructions for this stove are available online at www.aradastoves.com.

i600 Freestanding Low



i600 Freestanding shown with optional Atlantic blue glass door

The i600 Freestanding range borrows the sleek design and excellent fuel efficiency of our i Series cassette stoves. i Series stoves make the most from your fuel with their heat convection system and easy-to-use controls and a full glass door.

This model has a heat output of 4.9 kW and can burn either seasoned wood logs or solid smokeless fuel. It is smaller than its sibling but it has equal visual impact in the home. This stove is available in a range of colours for body, trim and door glass.

Features

- Full glass door
- Available in seven body and trim colours
- Lifetime guarantee
- Preheated airwash system for clean glass
- Stainless steel ash pan
- Burns wood logs or solid smokeless fuel
- Radiant and convected heat
- Direct air compatible
- Primary, secondary and tertiary burn increases fuel efficiency
- Two position door mechanism to assist cold lighting
- Top flue fitting 127mm (5')
- Internal flue fitting and flue damper for ease of installation
- Approved for use in Smoke Control Areas

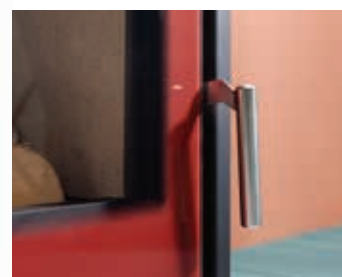
Dimensions

Width	659 mm
Height	585 mm
Depth	372 mm
Ideal log length	480 mm

Optional Extra: Safety Handle

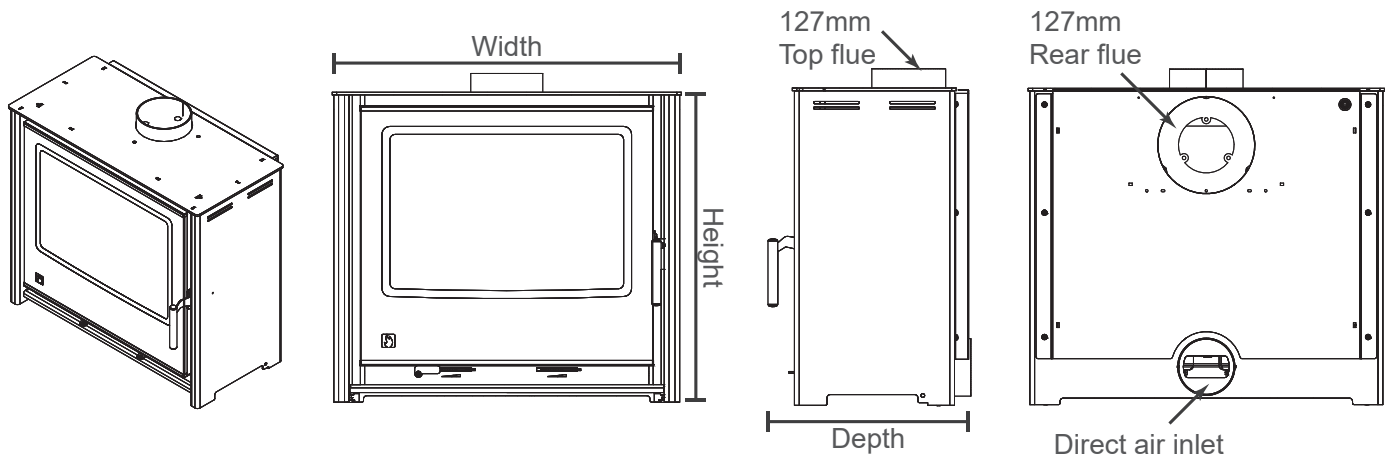


i600 Freestanding Low



Colour door glass

i600 Freestanding Low



Dimensions

Width	659 mm
Height	585 mm
Depth	372 mm
Flue Diameter	127 mm
Height to center of rear flue	470 mm
Depth from back to centre of top flue	102 mm
Ideal log length	480 mm

Features

Stove body type	Freestanding
Ecodesign Ready	No
Suitable for smoke control areas	Yes
Suitable for direct air connection	Yes
Suitable for non-combustible 12mm hearth	Yes

Minimum distance to combustibles

	Single Walled Flue
Rear	350 mm
Side	200 mm
Above	381 mm
Max hearth temp	36.2 °C

Direct air spigot location

(when viewing the rear of the stove)

Left to right position	Dead centre
Height from floor to center spigot	70 mm

Performance

	Wood Fuel
Energy Efficiency Class	A
Nett Efficiency	75.9 %
Nominal Output	4.9 kW
Output Range	3.6 - 6.1 kW
Mean Co Emission (@13% O ₂)	0.28 %
DIN+ particulate	-
Mean NO _x Emission (@13% O ₂)	-
Mean OGC Emission (@13% O ₂)	-
Flue Gas Mass Flow	4.9 g/s
Flue Gas Temperature	275 °C

We recommend this appliance is installed with clearance of 100mm to non-combustible materials
Installation and operating instructions for this stove are available online at www.aradastoves.com.